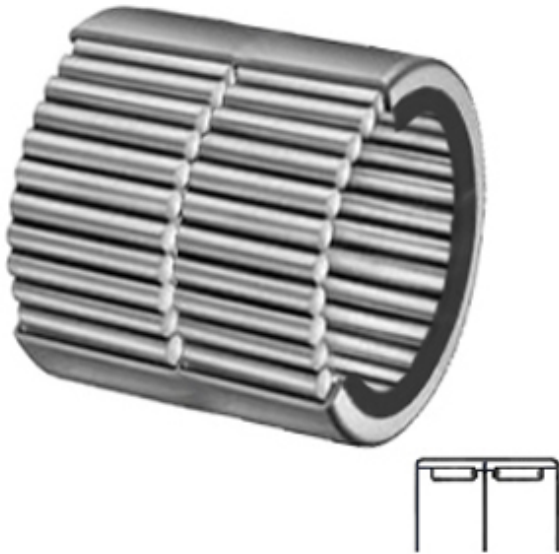




Wuxi LZH Bearing Co., Ltd.



GR 48 S Bearing 2D drawings and 3D CAD models

3 Inch | 76.2 Millimeter x 3.75 Inch | 95.25
Millimeter x 1.75 Inch | 44.45 Millimeter MCGILL
GR 48 S Needle Non Thrust Roller Bearings

Bearing No. GR 48 S

Category	Needle Non Thrust Roller Bearings
Inventory	0.0
Manufacturer Name	REGAL BELOIT
Minimum Buy Quantity	N/A
Weight	0.772
EAN	0726166062958
Product Group	B04144
Rolling Element	Needle Roller Bearing
Component	Roller Assembly with Outer Ring - No Inner Ring
Enclosure	1 Seal
Self Aligning	No
Retainer	No
Number of Rows of Rollers	Double Row
Separable	No
Closed End	No
Inch - Metric	Inch
Relubricatable	Yes
Thrust Bearing	No
Long Description	3" Bore; 3-3/4" Outside Diameter; 1-3/4" Width; Needle Roller Bearing; Roller Assembly with Outer Ring - No Inner Ring; 1 Seal Enclosure; No Self Aligning; No Retainer; Double Row



Wuxi LZH Bearing Co., Ltd.

	of Ro
Other Features	1 Rib Outer Ring Full Complement Heavy Duty Oil Hole
Category	Needle Non Thrust Roller Bearing
UNSPSC	31171512
Harmonized Tariff Code	8482.40.00.00
Noun	Bearing
Keyword String	Needle
Manufacturer URL	http://www.emerson-ept.com
Manufacturer Item Number	GR-48-S
Manufacturer Internal Number	5004810000
Weight / LBS	1.7
B	1.75 Inch 44.45 Millimeter
d	3 Inch 76.2 Millimeter
D	3.75 Inch 95.25 Millimeter